



SNOW REMOVAL EQUIPMENT





BUILT FOR SERIOUS SNOW PLOWERS

Let winter shell out its worst, because that only brings out your best. And when you're out there fighting the storms all day or all night, Western Products is right there with you, providing the equipment you need to get it done right and get you on to the next job.

Forged by hard-working men and women in our award-winning Milwaukee manufacturing facility, WESTERN® snow and ice control equipment is built to stand up to winter's worst.

More Jobs. Done Faster. It's the WESTERN way.

WIDE-OUT™

TAKE TOTAL CONTROL OF YOUR WINGS.

The WESTERN® WIDE-OUT™ adjustable wing snowplow puts total control in your hands for unmatched versatility. Go from retracted straight to extended straight, windrow, and scoop, all at the touch of a button. Get done up to 30% faster. The WIDE-OUT is the ultimate in CONTRACTOR GRADE® performance.



ANGLES IN SCOOP
The WIDE-OUT™ blade fully angles in scoop position to carry snow around corners with minimal spill-off.

WING CUTTING EDGES
Durable polyurethane wing cutting edges reduce wear and protect the blade. These cutting edges can effectively "trip" in any position, including scoop.



HYDRAULIC WING EXTENSIONS

Independently position each wing to maximize blade width and move more snow. Wings slide laterally across a structurally reinforced slide box.

DUAL POWER BAR

Six vertical ribs and dual horizontal POWER BAR design provide exceptional strength and prevent blade twisting, even in the most demanding snow conditions.

TRIP SPRINGS

Four trip return springs help protect your plow and truck by allowing the blade to trip forward when striking an obstacle.

WESTERN® WIDE-OUT is four plows in one

- 8' Retracted Straight
- 10' Expanded Straight
- Windrow Position
- 8' 10" Scoop Mode



UltraMount® 2

Fast, easy and fully mechanical mounting system for hassle-free hookup.



FLEET FLEX

Electrical system provides true fleet interchangeability.



SECURITY GUARD™

Anti-theft system renders plow inoperable to unauthorized users.



OPTIONAL ACCESSORIES

- Snow deflector
- Shoe kit
- Back drag edge
- Emergency parts kit

Compare the efficiency of the WIDE-OUT to your plow at westernplows.com/calculator

PRODIGY™

STRAIGHT BLADE OPERATION. WINGED PLOW PERFORMANCE.

Even the newest driver on your crew can plow like a seasoned pro. The WESTERN® PRODIGY™ snowplow is a winged plow with a straight blade control so plowers at any level are automatically more productive.

Less time training and less time per lot means you'll be more profitable faster.



PRODIGY™



SKID-STEER MOUNT AVAILABLE

Hooks up fast and easy. Skid-steer hydraulics power the blade.

FULLY MECHANICAL WINGS

Automatically change position as you maneuver the blade, to maximize plowing efficiency.

REINFORCED BLADE STRUCTURE

Eight vertical ribs and horizontal POWER BAR provide added reinforcement and strength.

TRIP BLADE AND WING PROTECTION

Four heavy-duty coil springs help absorb shock when striking objects. Coil compression springs automatically return wings to their scoop position.

MECHANICALLY PIN WINGS

For 9' 8" straight blade operation or back dragging.



STRAIGHT-AHEAD SCOOP MODE

When positioned for straight-ahead plowing, both PRODIGY™ wings angle forward, defaulting to an 8' 7" wide scoop position for maximum snow pushing and stacking ability.



ANGLED FOR WINDROWING

As the blade angles, a heavy-duty coil compression spring and cable assembly pulls the trailing wing back in line with the moldboard, while the leading wing remains angled forward to direct snow into the moldboard. Fully angled, you'll windrow a full 7' 10" swath with virtually no spill-off.



UltraMount® 2

Fast, easy and fully mechanical mounting system for hassle-free hookup.



FLEET FLEX

Electrical system provides true fleet interchangeability.



SECURITY GUARD™

Anti-theft system renders plow inoperable to unauthorized users.



OPTIONAL ACCESSORIES

- Blade shoes
- Shock absorber
- Rubber deflector
- Back drag edge
- Emergency parts kit

Check out the PRODIGY plow features and see it perform in action at westernplows.com/prodigy

MVP 3™

THE POWER TO BREAK THROUGH.

When enough is never enough, take v-plow performance to a whole new level with the WESTERN® MVP 3™ snowplow. Taller, flared wings give you more v-plow carrying capacity and snow rolling performance to get the job done even faster. The MVP 3 snowplow is available in poly in 8' 6" and 9' 6" widths, and in powder coated steel or stainless steel in 7' 6", 8' 6" and 9' 6".



MVP 3™



AVAILABLE IN STAINLESS STEEL,
POWDER COATED STEEL AND POLY.

FLARED WINGS

Wings soar from 31" center height up to 39" at outer edge on 9' 6" models.

REINFORCED BLADE STRUCTURE

Eight vertical ribs and horizontal POWER BAR across the entire back of the blade provides structural rigidity.

DUAL TRIP-EDGE

Independent trip edge protection in all blade configurations keeps snow in front of the blade.

UltraLock DOUBLE-ACTING CYLINDERS

This standard feature allows clean back dragging. Plus the wings lock together for efficient straight blade operation.

MASSIVE CENTER PIN AND HINGE

1 1/4" heat-treated steel pin and hinge with three connection points provide added strength.

STEEL SNOW CONTROL DEFLECTOR

Steel cover over center hinge and formed cutting edges reduce snow leakage in all blade positions.

BIGGER LIFT RAM

1 3/4" diameter cylinder for more lifting power.

T-FRAME DESIGN

T-frame provides added strength and allows blade pitch adjustment to reduce uneven cutting edge wear.

UltraMount® 2

Fast, easy and fully mechanical mounting system for hassle-free hookup.



FLEET FLEX

Electrical system provides true fleet interchangeability.



SECURITY GUARD™

Anti-theft system renders plow inoperable to unauthorized users.



OPTIONAL ACCESSORIES

- Snow deflectors
- Blade wings
- Back drag edge
- Shoe kit
- Curb guards
- Blade angle stops
- Emergency parts kit

Learn more about the MVP 3 v-plow and watch it work at westernplows.com/mvp3

MVP PLUS™

WHEN A STRAIGHT BLADE WON'T CUT IT.

The MVP PLUS™ snowplow gives you the added productivity only a v-plow can. With super-fast hydraulics and trip-edge protection, the MVP PLUS is built for efficiency, durability and performance, so you can move more snow in fewer passes. Available in powder coated steel or poly in 7' 6", 8' 6" and 9' 6" widths.



MVP PLUS



T-FRAME DESIGN

T-frame provides added strength and allows blade pitch adjustment to reduce uneven cutting edge wear.

POWER BAR CONSTRUCTION

The exclusive POWER BAR, along with eight vertical ribs, provides exceptional torsional strength across the entire blade.

DUAL TRIP-EDGE DESIGN

Each wing features a trip edge that can trip back in ANY configuration – including vee and scoop – to protect your plow and truck when the blade strikes an obstacle.

UltraLock DOUBLE-ACTING CYLINDERS

This standard feature allows clean back dragging. Plus the wings lock together for efficient straight blade operation.

STEEL SNOW CONTROL DEFLECTOR

Located over the center hinge, it helps prevent snow from being lost over the top.

ULTRA-FAST HYDRAULICS

Custom-built in house at the Western Products Milwaukee manufacturing facility, the MVP PLUS™ hydraulic system delivers fast, reliable operation.

UltraMount® 2

Fast, easy and fully mechanical mounting system for hassle-free hookup.



FLEET FLEX

Electrical system provides true fleet interchangeability.



SECURITY GUARD™

Anti-theft system renders plow inoperable to unauthorized users.



OPTIONAL ACCESSORIES

- Snow deflectors
- Blade wings
- Back drag edge
- Shoe kit
- Curb guards
- Blade angle stops
- Emergency parts kit

Get all the information about MVP PLUS v-plows at westernplows.com/mvplusplus

PRO PLUS®

HEAVY-DUTY CONTRACTOR GRADE PERFORMANCE.

With a winter workhorse like the WESTERN® PRO PLUS® snowplow on your truck, there's no holding back. Designed to fit a wide range of vehicles, including skid-steers, this plow is built for the toughest commercial operations. Give it all you've got, because going halfway has never been your style. Available in 8', 8' 6" and 9' widths.



PRO PLUS®



SKID-STEER MOUNT AVAILABLE

Hooks up fast and easy. Skid-steer hydraulics power the blade.

REINFORCED PLOW BLADE

Eight vertical ribs and horizontal POWER BAR provide added reinforcement and strength.

A-FRAME CONSTRUCTION

The 3" square tubing provides strength and durability.

PIVOT POINT

Features 1" diameter pivot bolt to ease stress on the nose plate.

HEAVY-DUTY CUTTING EDGE

1/2" thick x 6" high carbon steel cutting edge is standard.

TRIP BLADE PROTECTION WITH SHOCK ABSORBERS

Trip blade features four heavy-duty coil springs and two shock absorbers to soften blade return.

HIGH-STRENGTH RECTANGULAR TUBE QUADRANT

Built to withstand season after season of commercial use.

HIGH-STRENGTH STEEL BASE CHANNEL

Provides extra support where it's needed most.

UltraMount® 2

Fast, easy and fully mechanical mounting system for hassle-free hookup.



FLEET FLEX

Electrical system provides true fleet interchangeability.



SECURITY GUARD™

Anti-theft system renders plow inoperable to unauthorized users.



OPTIONAL ACCESSORIES

- Blade wings
- Back drag edge
- Curb guards
- Snow deflector
- Emergency parts kit

Find out which PRO PLUS snow plow is right for your truck at westernplows.com/quickmatch

PRO-PLOW® SERIES 2

STAKE YOUR REPUTATION ON IT.

When your customers are counting on you, you can count on the WESTERN® PRO-PLOW® Series 2 snowplow, one of the best-selling straight blades in the business. With the PRO-PLOW Series 2 on the front of your truck, you've got your customer's back.



AVAILABLE IN POLY

The slick surface of the POLY PRO-PLOW Series 2 is made from thermal-formed, high-density polyethylene to provide superior snow-rolling action for plowing efficiency. The poly surface is rust-proof and maintenance-free.

The 7' 6" and 8' blades are available in both powder coated steel and poly. The 8' 6" blade is available in steel only.

TRIP BLADE PROTECTION WITH SHOCK ABSORBER

Trip blade features four heavy-duty coil springs and a shock absorber to soften blade return.

BLADE SHOES ARE STANDARD

They extend cutting edge and base angle life when plowing rough surfaces.

RUBBER SNOW DEFLECTOR

Helps keep snow off your windshield. It's standard with poly blade models, optional with steel blades.

UltraMount® 2

Fast, easy and fully mechanical mounting system for hassle-free hookup.



FLEET FLEX

Electrical system provides true fleet interchangeability.



SECURITY GUARD™

Anti-theft system renders plow inoperable to unauthorized users.



OPTIONAL ACCESSORIES

- Snow deflector
- Shoe kit
- Back drag edge
- Curb guards
- Rubber cutting edge
- Emergency parts kit

HEAVYWEIGHT

BIGGER. TOUGHER. WESTERN®.

Built for trucks in the 14,000-27,000 GVW range, the 10' wide WESTERN HEAVYWEIGHT is our heaviest duty truck plow. This snowplow delivers the durability you need and the strength you demand to make short work of large parking lots and local streets.



HEAVY-DUTY CUTTING EDGE

1/2" thick x 6" tall AASHO punched carbon steel cutting edge is standard.

STANDARD ADJUSTABLE CAST-IRON DISC SHOES AND CONVENIENT WHEELS

A standard set of wheels helps maneuver the blade when attaching it to your truck or removing from the vehicle.

TRIP BLADE PROTECTION WITH SHOCK ABSORBERS

Two shock absorbers and six trip return springs help protect the plow and truck when striking an obstacle.

UniMount® MOUNTING SYSTEM

The mechanical attachment system quickly attaches and detaches.

OPTIONAL ACCESSORIES

- Emergency parts kit

MIDWEIGHT™

BIG PERFORMANCE SIZED RIGHT FOR YOUR TRUCK.

Push back on winter with the 7' 6" WESTERN® MIDWEIGHT™ commercial snowplow. It's lean, nimble and provides plenty of muscle. Delivering rugged, pro performance without the extra weight, this plow is built for light commercial use with a "bring it on" attitude. Available in powder coated steel or poly.



MIDWEIGHT STEEL PLOW SHOWN

HIGH-STRENGTH STEEL BASE CHANNEL

Provides extra support at the base of the blade.

REINFORCED PLOW BLADE

Six vertical ribs and horizontal POWER BAR provide reinforcement and strength.

HTS™

PUT YOUR HALF-TON TRUCK TO WORK.

The full-sized, full-featured 7' 6" WESTERN® HTS™ half-ton snowplow is built for today's half-ton 4WD pickups. The HTS plow delivers professional results for your personal and light commercial snowplow jobs.



REINFORCED PLOW BLADE

Six vertical ribs and horizontal POWER BAR provide structural reinforcement.

TRIP BLADE PROTECTION

The two-spring trip blade protects your plow and truck when the plow strikes an obstacle.

HYDRAULIC SCRAPE LOCK

Hydraulically locks the blade down for enhanced scraping and clean back dragging performance.

ONE-SIDE HOOKUP

The UltraMount® system is fast and easy.

UltraMount® 2

Fast, easy and fully mechanical mounting system for hassle-free hookup.



FLEET FLEX

Electrical system provides true fleet interchangeability.



SECURITY GUARD™

Anti-theft system renders plow inoperable to unauthorized users.



OPTIONAL ACCESSORIES

- Snow deflector
- Shoe kit
- Back drag edge
- Curb guards
- Emergency parts kit

UltraMount®

Fast, easy and fully mechanical mounting system. 100% compatible with UltraMount® 2 system mounts and electrical platforms.



FLEET FLEX

Electrical system provides true fleet interchangeability.



SECURITY GUARD™

Anti-theft system renders plow inoperable to unauthorized users.



OPTIONAL ACCESSORIES

- Snow deflector
- Shoe kit
- Back drag edge
- Curb guards
- Emergency parts kit

UltraMount® 2



THE FAST, EASY ATTACHING SYSTEM.

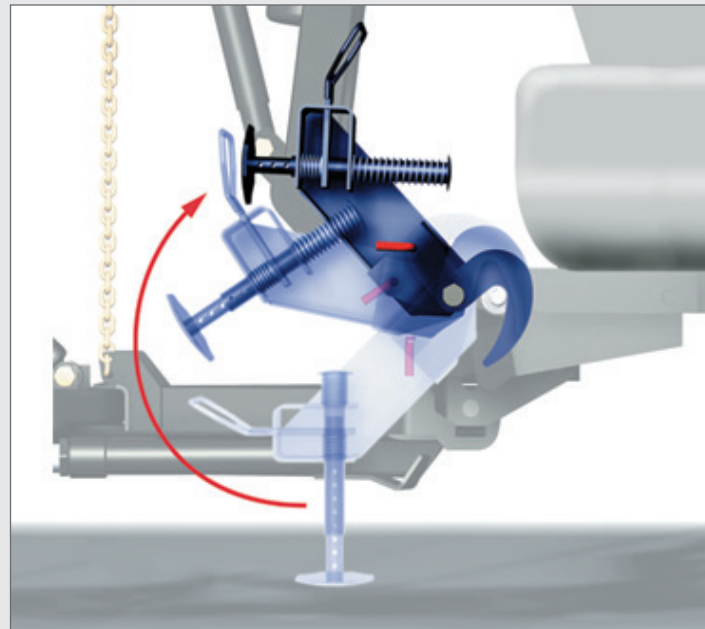
The UltraMount® 2 system is designed for fast and easy attach and detach. It features a more robust one-piece design and is 100% compatible with existing mounts and electrical platforms.

SIMPLE MECHANICAL SYSTEM

No hydraulic or electrical components to fail, and no tools required.

QUICK AND EASY ATTACHMENT

Drive into the extra-wide flared receiver brackets. Pull the shoe handle up, pull the lock pin and rotate the handles up. Repeat on the other side and plug in the electrical connections. That's it!



EXCLUSIVE ROTATING PIVOT BAR

The patented PIVOT BAR keeps the attaching points level even when the blade is not, for accurate drive-in alignment. It also allows the blade to pivot while plowing on uneven terrain for a cleaner scrape and more even cutting edge wear.



REMOVABLE RECEIVER BRACKETS

Quickly maximize vehicle ground clearance in the off-season. No tools required.



CHAIN LIFT SYSTEM

THE MECHANICAL ADVANTAGE

The WESTERN® UltraMount® 2 system features a simple mechanical chain lift. This provides instantaneous float so the blade can freely follow the contours of uneven ground for a cleaner scrape.

The chain lift allows WESTERN plows to stack higher than plows with cylinder lift systems, which

are limited by the range of the hydraulic ram stroke.

And in the rare event of a hydraulic failure, you can push the plow into a snow bank, and easily "short chain" the plow for emergency transport.

FLEET FLEX Electrical System

ONE TRUCK. ONE CONTROL. ANY PLOW.

The FLEET FLEX electrical system provides true fleet interchangeability among current UltraMount® and UltraMount® 2 mounted snowplows.

The same hand-held control or joystick can operate all WESTERN® commercial grade snowplows.

Features include:

- PROGRAMMABLE “SOFT-STOP”
- PROGRAMMABLE “ONE-TOUCH” FLOAT
- BUILT-IN SECURITY GUARD™ ANTI-THEFT SYSTEM



SECURITY GUARD ANTI-THEFT SYSTEM

The exclusive WESTERN SECURITY GUARD snowplow anti-theft system is a safe and secure way to electronically “lock” your snowplow when it is detached from your truck.

It electronically synchronizes your snowplow control and plow module. When activated, it disables the electrical control system and renders the plow inoperable to unauthorized users.



UNIVERSAL CONTROL OPTIONS

Choose between the CabCommand hand-held control or joystick control for efficient, precise and intuitive blade control while plowing.

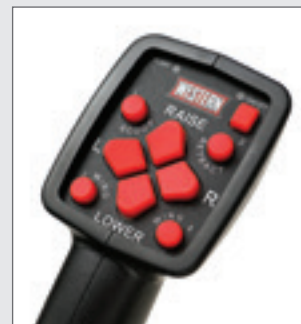
ISOLATION MODULE

This advanced snowplow light and electrical system features improved electrical pins in the harness plugs for trouble-free connections. An under-hood module improves system life and complies with OEM requirements. No toggle switch is needed to change from vehicle to plow lights.



CABCOMMAND CONTROL

- Power “on” and “float” LED
- Backlit for night operation
- Coil cord for easy mobility



JOYSTICK CONTROL

- Power “on” and “float” LED
- Backlit for night operation
- Compact to fit anywhere
- Plug-in connector for easy removal



NIGHTHAWK™



LOW-BEAM HALOGEN HEADLAMP ILLUMINATION.



Low-profile, dual-beam halogen headlamps feature combination park and turn signal lights that conform to federal safety standards. Vehicle light switch activates plow lights; no separate in-cab switch needed.

STATE-OF-THE-ART REFLECTOR OPTICS

Provide a smooth, wide beam pattern with minimal glare.

WATERTIGHT ADHESIVE BOND

Seals out water between the lens, reflector and housing to prevent freezing damage.

ROBUST TWO-STUD MOUNTING

Keeps headlamps firmly in place, even under the harshest shock and vibration forces.

H13 LONG-LIFE HALOGEN BULB

Has an average life of 1,500 hours, and is easy to replace through a simple three-screw bulb access cover.

ULTRAFINISH™ POWDER COAT WITH EPOXY PRIMER

THE INDUSTRY'S BEST PROTECTION AGAINST WEAR AND RUST.

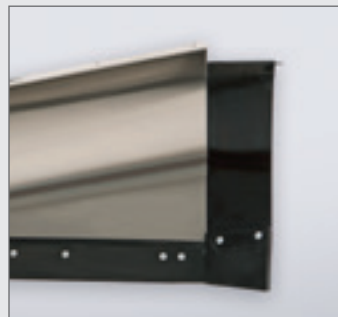
The ULTRAFINISH™ powder coat process is standard on all WESTERN® plows. The automated pre-treatment process and multi-stage pre-wash prepare the plow surface for optimum primer adhesion. Our durable epoxy primer improves corrosion resistance and enhances the ULTRAFINISH powder coat adhesion. Robotic guns provide precise, consistent powder coat coverage. And the final baking process provides that long-lasting, hard-as-nails WESTERN red that's become synonymous with quality.



Protect Your Investment With Original WESTERN® Parts & Accessories



Ensure your WESTERN® plow and ice removal equipment remains efficient and reliable season after season with Factory Original parts and accessories from your local WESTERN dealer. Using “will-fit” alternatives can alter your plow’s performance and may affect your product warranty. Stick with WESTERN for the parts and accessories you need. It’s the smart choice for protecting your investment.



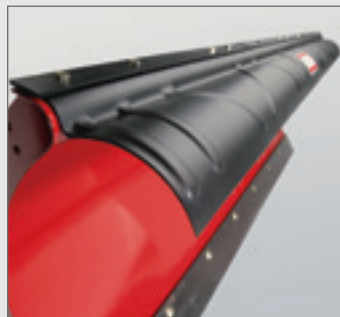
PLOW WINGS

Get more jobs done faster with wings. These plow wings increase the overall plowing width by one foot, add up to 30% more carrying capacity, and minimize snow spill-off. Made of 12-gauge steel with high strength steel ribs, these durable wings attach quickly and easily with a single pin.



RUBBER SNOW DEFLECTOR

Control the snow and always see where you're going with optional deflectors. The 2-ply rubber snow deflectors include bolt-on steel plates to ensure proper positioning of the deflectors to keep your view clear and clean.



POLY SNOW DEFLECTOR

This heavy-duty poly snow deflector is curved to improve snow containment and Roll-Action™. It's constructed of high density polyethylene material and vacuum formed with integral ribs to ensure structural integrity. Each deflector includes clamping bars and curl braces.



HIGH PERFORMANCE HYDRAULIC FLUID

Available in quart and gallon containers, WESTERN high performance fluid is formulated to provide better viscosity in all temperatures. This means your plow will operate at the optimum level no matter what the weather conditions.



BACK DRAG EDGE

Ensure a clean scrape, every time, when you back drag. Angled to maximize back dragging, the WESTERN® back drag edge is constructed to be as rugged and durable as every other component of your plow. Easy to install and easy to use, a back drag edge is a key tool in any snowfighter's kit.



SHOE KIT

Protect your plow and the road. Ride above the uneven surfaces of gravel and dirt with plow shoes. The cast iron construction and shape ensures that your plow glides over gravel and dirt at the perfect height. Bolt-on shoe kit extends cutting edge and base angle life when plowing rocky or abrasive surfaces.



CURB GUARDS

Go right up to the edge with bolt-on curb guards. Protect the outer edge of your snowplow from wear when plowing along sidewalks and curbs. Made of cast metal, each curb guard effectively protects the outer edge of the plow.



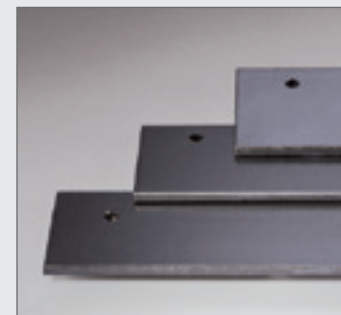
WESTERN® BLADE GUIDES WITH FLAGS

These attractive blade guides with replaceable flags help improve operator visibility and plow blade positioning.



SNOWPLOW EMERGENCY PARTS KIT

Be prepared! These handy parts kits provide the high volume, Factory Original parts needed for emergency snow plow repairs. Packed in an easy-to-store WESTERN factory original nylon duffle bag.



STEEL CUTTING EDGES

These 1/2" thick cutting edges fit the same hole pattern as the cutting edge that comes standard on your Factory Original blade. Fits most models.



PAINT

Time to touch up your WESTERN snowplow blade or black iron? Available in spray or quart cans, in red or black, top coat or the primer-based under coat, these Factory Original paints provide durable coverage and are formulated to match your original equipment.

Plow Type	Blade Width	Blade Height	Blade Gauge	Tip Springs	Shock Absorbers	Vertical Ribs	Angling Rams	Plowing Width (full angle)	Approx. Weight (less mount)	Disc Shoes	Cutting Edge
HTS™	7' 6"	27"	14"	2	-	6	1½" x 8"	6' 7"	412 lb	optional	5/16" x 6"
MIDWEIGHT™	7' 6"	27"	14"	2	-	6	1½" x 10"	6' 6"	540 lb	optional	3/8" x 6"
MIDWEIGHT POLY	7' 6"	27"	1/4" poly	2	-	6	1½" x 10"	6' 6"	532 lb	optional	3/8" x 6"
PRO-PLOW® Series 2	7' 6"	29"	11"	4	1	7	1½" x 10"	6' 6"	653 lb	cast iron	3/8" x 6"
PRO-PLOW Series 2	8'	29"	11"	4	1	7	1½" x 10"	6' 11"	668 lb	cast iron	3/8" x 6"
PRO-PLOW Series 2	8' 6"	29"	11"	4	1	7	1½" x 10"	7' 4"	686 lb	cast iron	3/8" x 6"
POLY PRO-PLOW Series 2	7' 6"	29"	3/8" poly	4	1	7	1½" x 10"	6' 6"	677 lb	cast iron	3/8" x 6"
POLY PRO-PLOW Series 2	8'	29"	3/8" poly	4	1	7	1½" x 10"	6' 11"	690 lb	cast iron	3/8" x 6"
PRO PLUS®	8'	31½"	12"	4	2	8	1½" x 12"	6' 11"	805 lb**	cast iron	1/2" x 6"
PRO PLUS	8' 6"	31½"	12"	4	2	8	1½" x 12"	7' 4"	821 lb**	cast iron	1/2" x 6"
PRO PLUS	9'	31½"	12"	4	2	8	1½" x 12"	7' 9"	837 lb**	cast iron	1/2" x 6"
HEAVYWEIGHT	10'	33"	7"	6	2	6	2" x 16"	8' 8"	1106 lb	cast iron	1/2" x 6"

Plow Type	Blade Width	Blade Height	Blade Gauge	Tip Springs	Shock Absorbers	Vertical Ribs	Angling Rams	Plowing Width	Approx. Weight (less mount)	Disc Shoes	Cutting Edge
PRODIGY™	8' 7" scoop 9' 8" wings pinned	29½"	12"	4	optional	8	1½" x 10"	7' 10" full angle 8' 7" scoop	880 lb**	optional	1/2" x 6"
WIDE-OUT™	8' retracted 10' expanded 8' 10" scoop	29"	12"	4	-	6	1½" x 10"	7' 2" retracted* 9' expanded* 7' 11" scoop*	940 lb	optional	1/2" x 6" blade 1½" x 8" poly wing
MVP PLUS™	7' 6"	29"	14"	4	-	6	1¾" x 11"	6' 6" full angle 6' 3" scoop 6' 9" full V	827 lb	optional	3/8" x 6"
MVP PLUS	8' 6"	29"	14"	4	-	8	1¾" x 11"	7' 5" full angle 7' 1" scoop 7' 7" full V	880 lb	optional	3/8" x 6"
MVP PLUS	9' 6"	31"	14"	6	-	8	1¾" x 11"	8' 3" full angle 7' 11" scoop 8' 7" full V	988 lb	optional	1/2" x 6"
MVP PLUS Poly	7' 6"	29"	1/4" poly	4	-	6	1¾" x 11"	6' 6" full angle 6' 3" scoop 6' 9" full V	799 lb	optional	3/8" x 6"
MVP PLUS Poly	8' 6"	29"	1/4" poly	4	-	8	1¾" x 11"	7' 5" full angle 7' 1" scoop 7' 7" full V	847 lb	optional	3/8" x 6"
MVP PLUS Poly	9' 6"	31"	1/4" poly	6	-	8	1¾" x 11"	8' 3" full angle 7' 11" scoop 8' 7" full V	964 lb	optional	1/2" x 6"
MVP 3™	7' 6"	37" at end 31" hinge	14"	4	-	6	1¾" x 11"	6' 7" full angle 6' 4" scoop 6' 10" full V	885 lb	optional	3/8" x 6"
MVP 3	8' 6"	38" at end 31" hinge	14"	4	-	8	1¾" x 11"	7' 5" full angle 7' 2" scoop 7' 8" full V	940 lb	optional	3/8" x 6"
MVP 3	9' 6"	39" at end 31" hinge	14"	6	-	8	1¾" x 11"	8' 6" full angle 8' 2" scoop 8' 7" full V	1022 lb	optional	1/2" x 6"
MVP 3 Poly	8' 6"	38" at end 31" hinge	1/4" poly	4	-	8	1¾" x 11"	7' 5" full angle 7' 2" scoop 7' 8" full V	890 lb	optional	3/8" x 6"
MVP 3 Poly	9' 6" (2.90 m)	39" at end 31" hinge	1/4" poly	6	-	8	1¾" x 11"	8' 6" full angle 8' 2" scoop 8' 7" full V	972 lb	optional	1/2" x 6"
MVP 3 SS	7' 6" (2.29 m)	37" at end 31" hinge	14"	4	-	6	1¾" x 11"	6' 7" full angle 6' 4" scoop 6' 10" full V	885 lb	optional	3/8" x 6"
MVP 3 SS	8' 6" (2.59 m)	38" at end 31" hinge	14"	4	-	8	1¾" x 11"	7' 5" full angle 7' 2" scoop 7' 8" full V	940 lb	optional	3/8" x 6"
MVP 3 SS	9' 6"	39" at end 31" hinge	14"	6	-	8	1¾" x 11"	8' 6" full angle 8' 2" scoop 8' 7" full V	1022 lb	optional	1/2" x 6"

Plow Type	Blade Width	Side Plate	Snow Capacity	Approx. Weight (less mount)
SKID-STEER	8'	36" x 36"	7 yd	710 lb
SKID-STEER	10'	36" x 36"	9 yd	790 lb
BACKHOE	10'	36" x 36"	9 yd	1030 lb
BACKHOE	12'	36" x 36"	11 yd	1150 lb
WHEEL LOADER	12'	48" x 48"	15 yd	1680 lb
WHEEL LOADER	14'	48" x 48"	18 yd	1815 lb
WHEEL LOADER	16'	48" x 48"	21 yd	1950 lb

*At full angle. **Deduct approximately 40 lb for skid-steer model. PRODIGY and PRO PLUS are available with a universal skid-steer loader mounting plate. UltraMount® 2 mount weight range: 28 to 145 lb. HEAVYWEIGHT plows are available with the UniMount® system. HTS is available with UltraMount® system.

Western Products Offers a Full Line of Snow & Ice Control Equipment

PILE DRIVER™ CONTAINMENT PLOW

For the really big jobs, WESTERN® offers a full line of heavy-duty containment plows designed to move maximum yards of snow in minimal time. The PILE DRIVER containment plow attaches quickly and easily to either a skid-steer, backhoe or wheel loader. They are available in widths from 8' to 16'. See our separate containment plow sell sheet for more details.



Ice Control Equipment

Quality ice control equipment is essential to providing the conditions your customers demand.



Tornado™ Hopper Spreader

HOPPER SPREADERS

For large areas, the performance of a WESTERN hopper spreader can't be beat. Choose from poly or stainless steel models.



PRO-FLO™ 900 Tailgate Spreader

TAILGATE AND WALK-BEHIND SPREADERS

WESTERN offers a full line of tailgate spreaders and walk-behind models.

See our separate Spreader brochure for more details.



Western Products | P.O. Box 245038 | Milwaukee, WI 53224-9538



More jobs. Done faster. | www.westernplows.com |



Western Products reserves the right under its product improvement policy to change construction or design details and furnish equipment when so altered without reference to illustrations or specifications used. Western Products or the vehicle manufacturer may require or recommend optional equipment for snow removal. Do not exceed vehicle ratings with a snowplow. This product is manufactured under the following U.S. patents: 5,638,618; 5,899,007; 6,145,222; 6,209,231; 6,253,470; 6,408,549; 6,412,199; 6,526,677; 6,711,837; 6,928,757; 7,134,227; 7,400,058; 7,430,821; 7,737,576; CAN patents 2,184,922; 2,229,783; 2,354,257; 2,358,145; 2,358,354; 2,639,052; and other patents pending. Western Products offers a limited warranty for all snowplows and accessories. See separately printed page for this important information. The following are registered (®) or unregistered (™) trademarks of Douglas Dynamics, L.L.C.: CONTRACTOR GRADE®, HTS™, MIDWEIGHT™, MVP 3™, MVP PLUS™, NIGHTHAWK™, PILE DRIVER™, POLY PRO-PLOW® Series 2, PRODIGY™, PRO-FLO™ 900, PRO-PLOW® Series 2, PRO PLUS®, Roll-Action™, SECURITY GUARD™, Tornado™, ULTRAFINISH™, UltraMount®, UltraMount® 2, UniMount®, WESTERN® and WIDE-OUT™.

©2016 Douglas Dynamics, LLC
All rights reserved.

 A DIVISION OF DOUGLAS DYNAMICS, LLC

Printed in U.S.A.
Form No. 52250 - AU16